

# 137-172 ALTO<sup>®</sup>



Elongated Front, SmartHeight™ Vitreous China, Two-Piece Toilet

## FEATURES

- 3-bolt SmartFasten™ tank-to-bowl connection
- 1.6 gpf / 6.0 lpf low water consumption
- Elongated front SmartHeight™ bowl
- 2" flapper flush valve
- Fluidmaster® anti-siphon pilot fill valve
- 12" rough-in
- Model 31 chrome-plated plastic trip lever
- 2" glazed trapway
- The Mansfield® limited lifetime warranty
- Available in White



**MODEL 137-172**

Toilet seat not included





ELONGATED



SMARTHEIGHT ADA

## COMPONENTS

MODEL #	DESCRIPTION	CODES/STANDARDS
137-172	Elongated front, SmartHeight™ two-piece toilet.	 
137	Elongated front, SmartHeight™ toilet bowl only. Less toilet seat. Specify color.	
172	Tank and cover only with left hand, front-mount, chrome-plated, plastic trip lever. Fluidmaster® anti-siphon pilot fill valve and 2" flapper. Less supply.	

### TANK TRIM & REPLACEMENT PARTS

31	Trip lever - chrome-plated, plastic trip lever, left hand
203A	2" Flapper flush valve
400A	Fluidmaster® anti-siphon pilot fill valve
2206	Anti-siphon pilot fill valve (compatible replacement)
630-0173	2" Replacement flapper kit
160-LID	Tank lid





# 137-172 ALTO®



Elongated Front, SmartHeight™ Vitreous China, Two-Piece Toilet

## SPECIFICATIONS

MODEL #	DESCRIPTION	CODES/STANDARDS
137-172	Elongated front, SmartHeight™ (1.6 gpf / 6.0 lpf) two-piece toilet	 

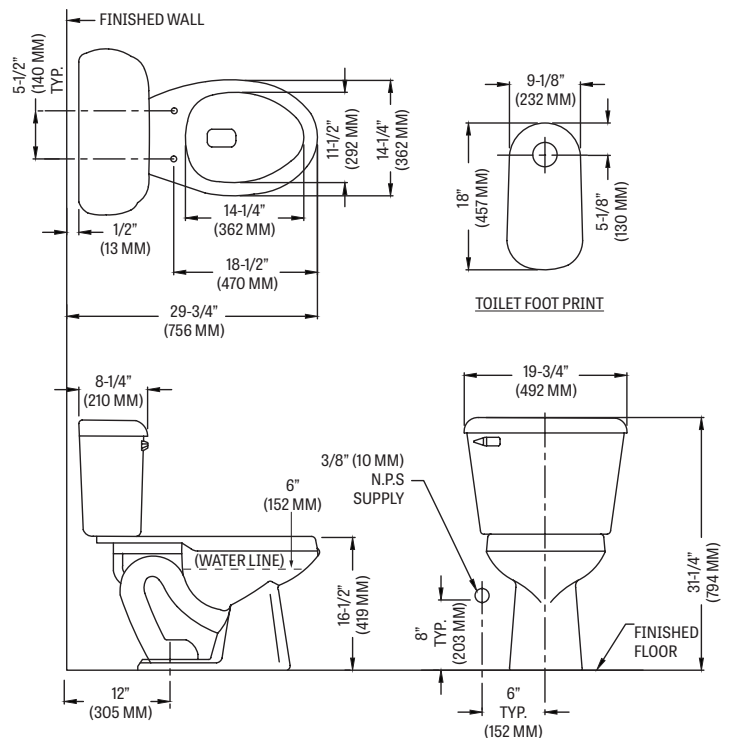
MATERIAL	Vitreous China
WATER PRESSURE RANGE	20 to 80 PSI
FLUSH SYSTEM	2" Flapper flush valve
WATER USAGE	1.6 gpf / 6.0 lpf
WATER SURFACE AREA	9' X 10'
ROUGH-IN	12"
MAP RATING	800 grams

TRAP DIAMETER	2"
TRAP SEAL	2-5/8"
SHIPPING WEIGHT	Model 137 - 56 lbs. (25.4 kg) Model 172 - 34 lbs. (15.4 kg)
WARRANTY	Vitreous China - Limited Lifetime Tank Trim - Limited One Year

TANK OPTIONS	TECHNICAL INFORMATION
--------------	-----------------------

<b>160</b>	<b>Standard 1.6 gpf configuration:</b> 2" flush tower, anti-siphon ballcock, left hand, chrome trip lever.
<b>160RH</b>	Variation of model 160, with right hand trip lever.
<b>161</b>	Variation of model 160, with Fluidmaster® anti-siphon pilot fill valve.
<b>165</b>	Variation of model 160, with cover lock.
<b>170</b>	Variation of model 160, with tank liner.
<b>172</b>	Variation of model 160, with Fluidmaster® anti-siphon pilot fill valve, 2" flapper and chrome trip lever.
<b>173</b>	Variation of model 160, with Fluidmaster® anti-siphon pilot fill valve, 2" flapper and color-match trip lever.
<b>173RH</b>	Variation of model 173, with right hand trip lever.
<b>174</b>	Variation of model 173, with tank liner.
<b>175</b>	Variation of model 160, with cover lock and tank liner.
<b>180</b>	Variation of model 160, with color-match trip lever.
<b>181</b>	Variation of model 160, with Fluidmaster® anti-siphon pilot fill valve and color-match trip lever.
<b>190</b>	Variation of model 160, with color-match trip lever and tank liner.
<b>125</b>	Variation of model 160, with 14" rough-in.

**Note:** these dimensions are nominal and subject to change without notice.



Fixture performance and specifications meet or exceed ASME A112.19.2/CSA B45.1 standards, and other state and local codes.